

DATE	REV.	DESCRIPTION	DRN	APPD
12-AUG-10	01	INITIAL RELEASE	RJA	

MATERIAL SPECIFICATIONS

M1. MATERIAL IS SOURCED FROM "Item NORTH AMERICA". BELOW ARE MANUFACTURER PART NUMBERS (EQUIVALENT MATERIAL SOURCE WILL CHANGE MANUFACTURING PART NUMBERS):

PROFILES: - T-SLOTTED PROFILE 8 40x40, P/N 0.0.026.03 (UPPER RAILS, QTY.5)
 - T-SLOTTED PROFILE 8 40x40 LIGHT, P/N 0.0.026.33 (ALL OTHER PROFILES)

FOOT: - KNUCKLE FOOT D60 (LEVELING), M10x75, P/N 0.0.439.29, QTY.4 (EACH POST)

NOT SHOWN: - STANDARD FASTENING SET 8, P/N 0.0.026.07, QTY.18

ADDITIONAL: - THRU HOLE DIAMETER 7mm WITH COUNTERBORE DIAMETER 20mm, 13mm DEEP, 200mm FROM BOTH ENDS ON UPPER SIDE RAILS, QTY.4
 - CAP 8 40X40, P/N 0.0.026.01, QTY.4
 - T-SLOT NUT 8 St M6, P/N 0.0.026.23, QTY.20

M2. NO CHANGES SHALL BE MADE TO RAW MATERIALS OR ASSOCIATED PROCESSING MATERIALS WITHOUT THE PRIOR WRITTEN CONSENT OF TESLA MOTORS

DIMENSIONAL NOTES

D1. THE MASTER SOURCE OF INFORMATION FOR THIS DRAWING IS A COMPUTER DATABASE.
 D2. DO NOT SCALE PRINT.

REGULATORY CHARACTERISTICS

GENERAL NOTES

NAME	INTERPRET DIMENSIONS AND TOLERANCES PER ISO 1101, 128, 129
DRAWN BY	R.ANDRADE



THE INFORMATION CONTAINED HEREIN IS DEEMED TO BE CONFIDENTIAL, PROPRIETARY, AND A TRADE SECRET OF TESLA MOTORS. THIS INFORMATION MAY NOT BE USED, REPRODUCED, OR DISCLOSED AS THE DIRECT OR INDIRECT BASIS FOR THE DEVELOPMENT, MANUFACTURE, OR SALE OF PROCESSES OR PRODUCTS WITHOUT THE EXPRESSED WRITTEN CONSENT OF TESLA MOTORS.

MATERIAL:
SEE NOTES

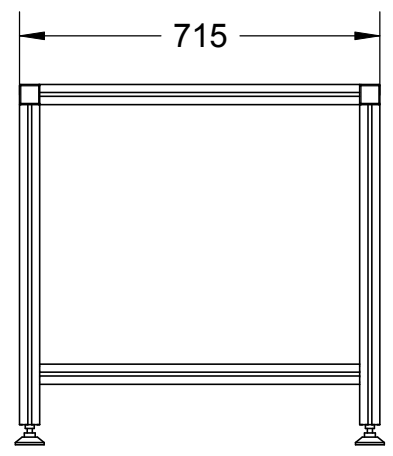
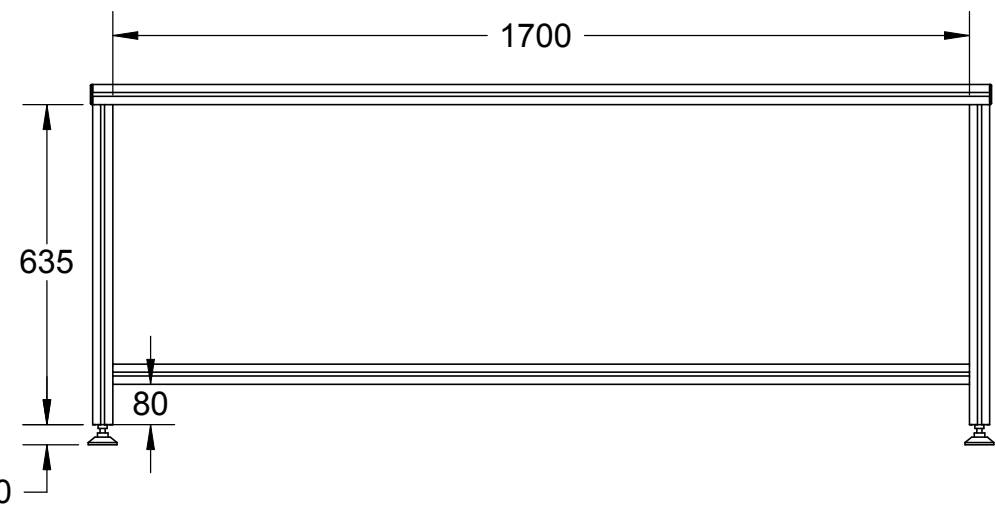
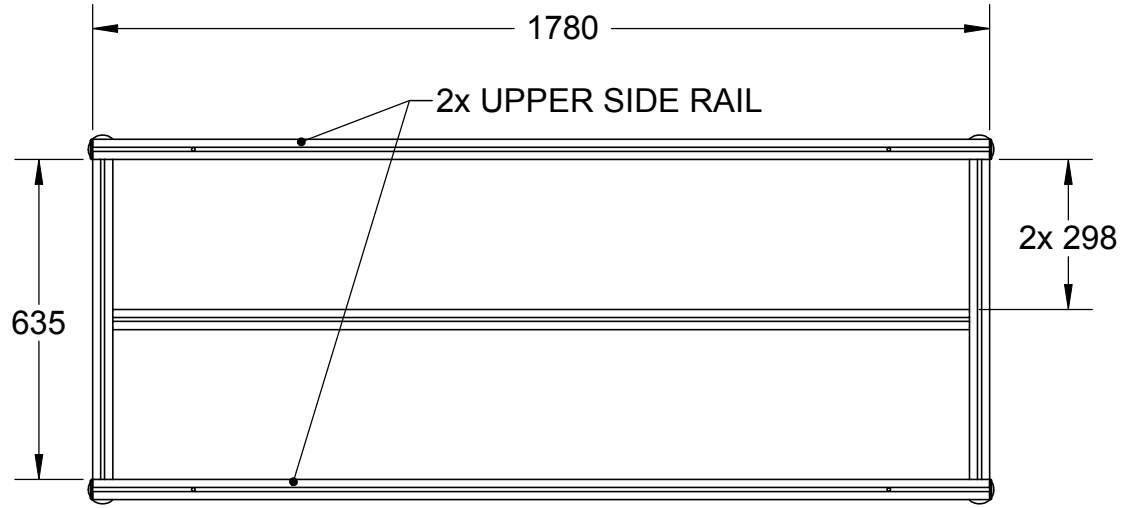
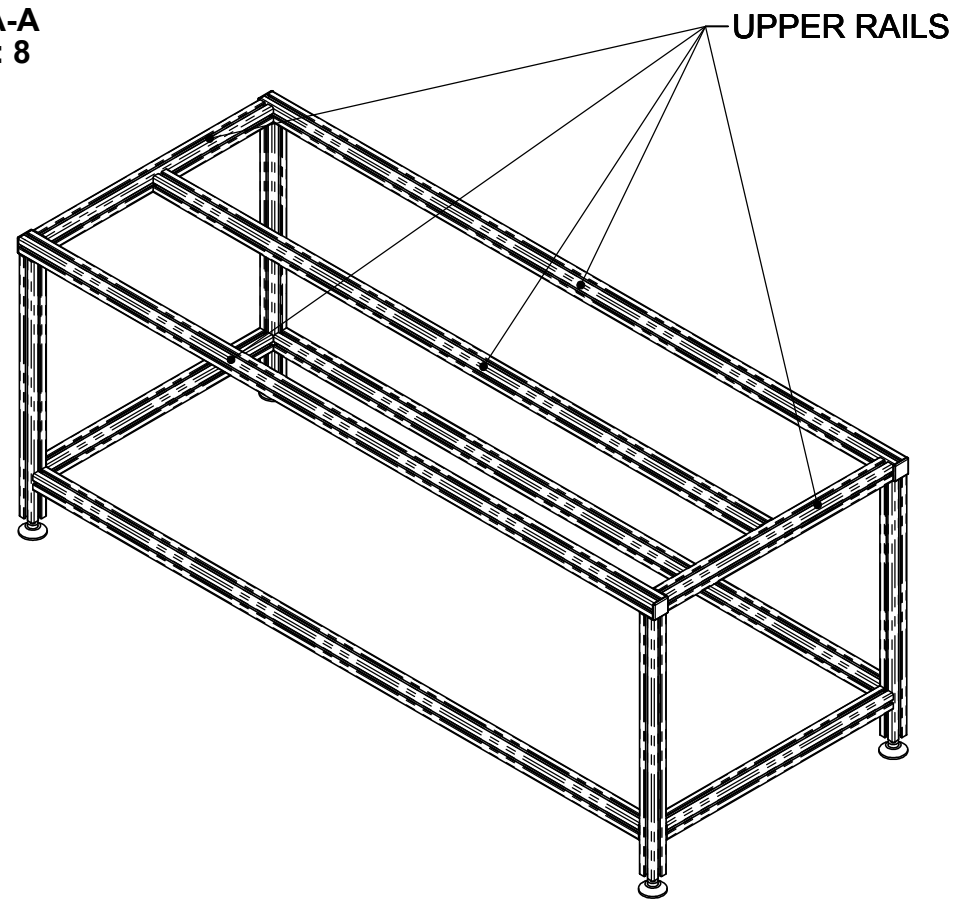
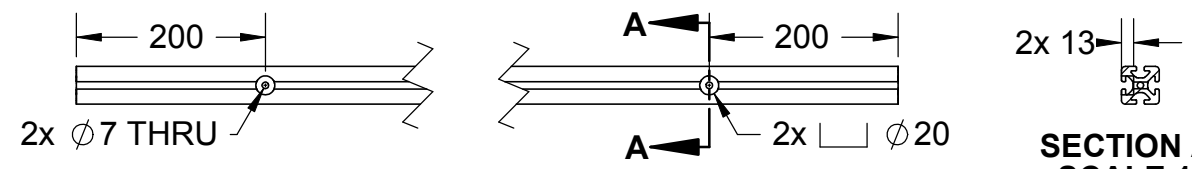
FINISH: N/A EST. WEIGHT (g):

THIRD ANGLE PROJECTION	DIMENSIONS ARE IN MILLIMETERS	SCALE	SHEET SIZE
	TOLERANCES: ANGULAR ±0.5° FRACTIONAL ±1 DECIMALS X ±0.3 X.X ±0.3 X.XX ±0.10	1:15	B

ITEM NAME:
FRAME,MMB-DOWNDRAFT-TABLE,METRO-MFG

MAT'L NO.	ITEM NO.	REVISION	SHEET
	02-012036-00	01	1 OF 1

UPPER SIDE RAIL



REV 01

B 02-012036-00

A

D

C

B

A

8 7 6 5 4 3

8 7 6 5 4 3

2 1